

Solero

Microwave Tissue Ablation System



ABLATION MEASUREMENT GUIDE



EX VIVO BOVINE LIVER

(diameter Ø x length)

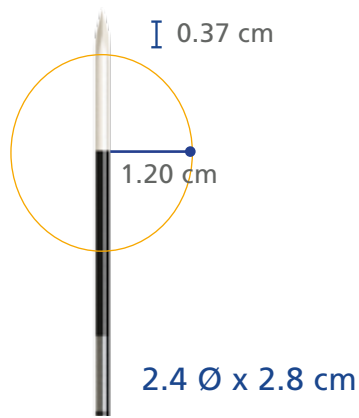


2 min

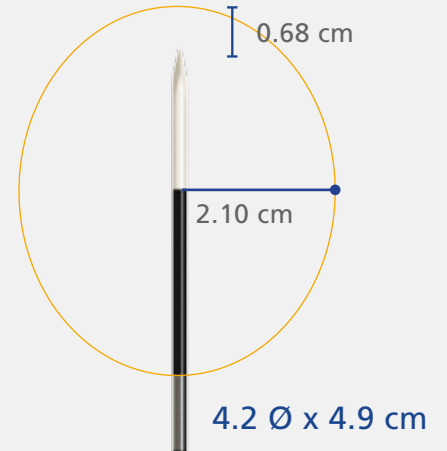
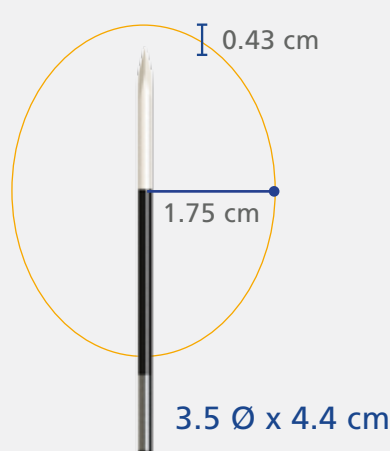
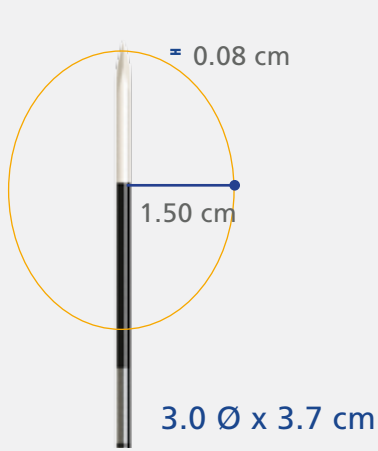
4 min

6 min

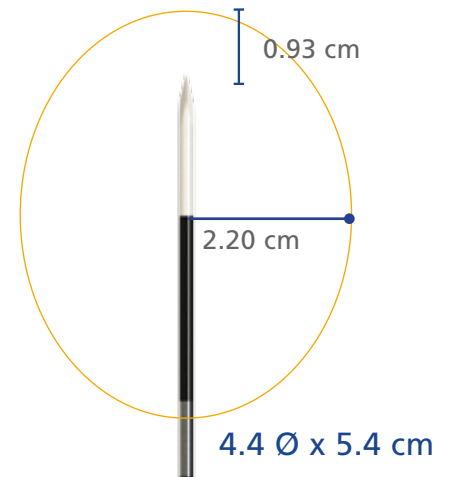
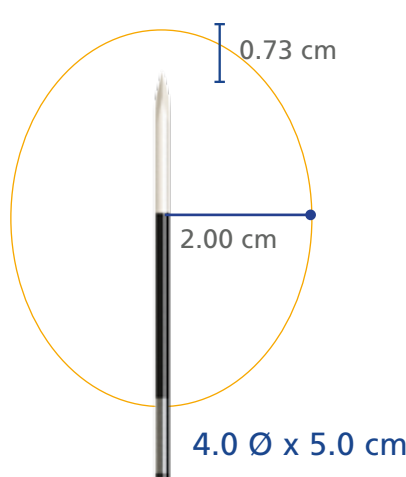
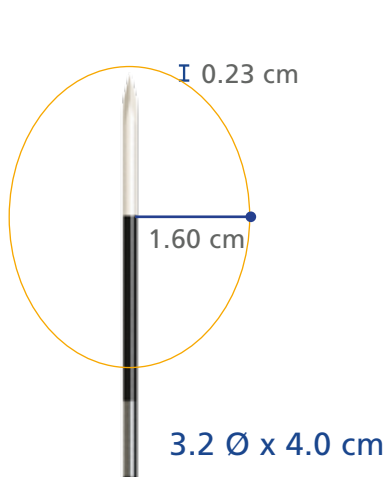
60 W



100 W



140 W



Note: Ablation volumes in perfused tissues may differ from static laboratory results

EX VIVO PORCINE KIDNEY

(diameter \varnothing x length)

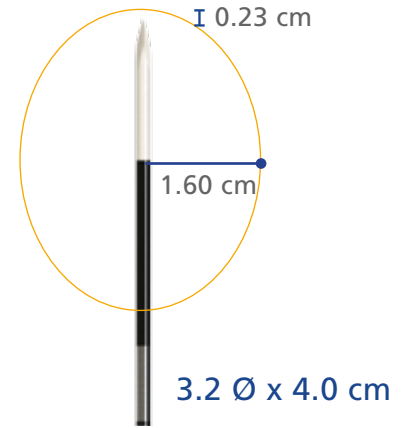
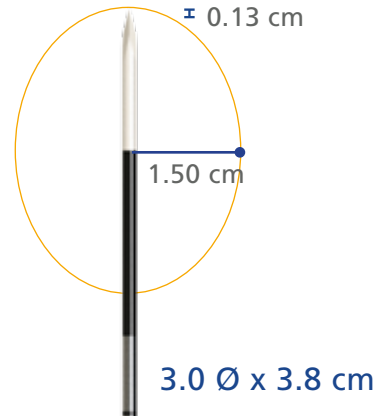
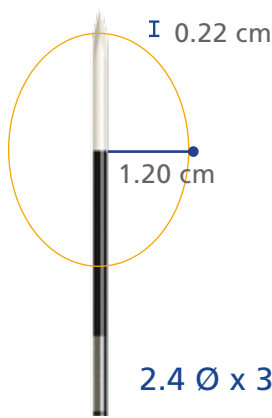


2 min

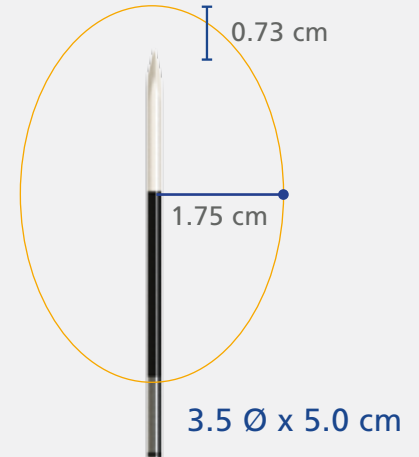
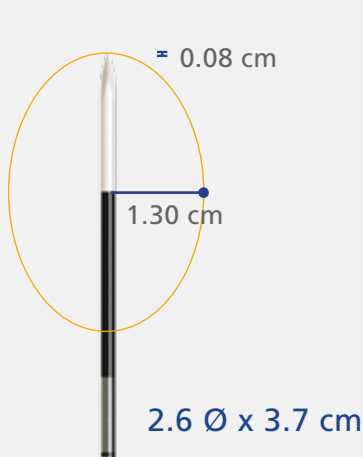
4 min

6 min

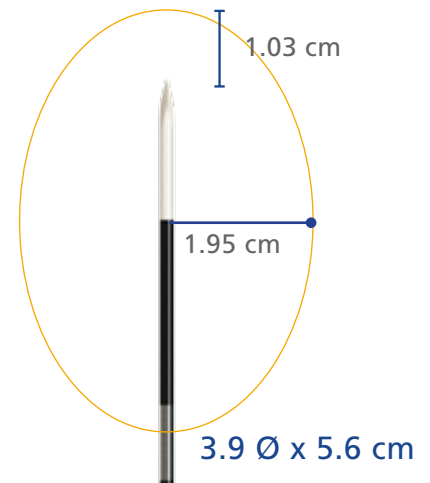
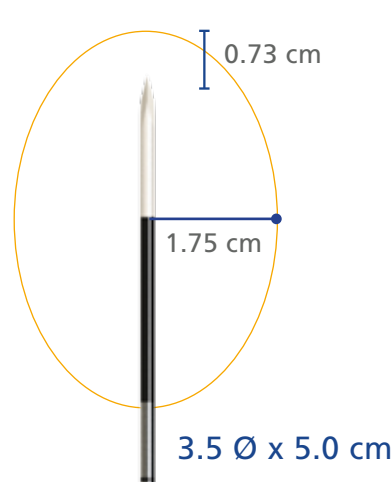
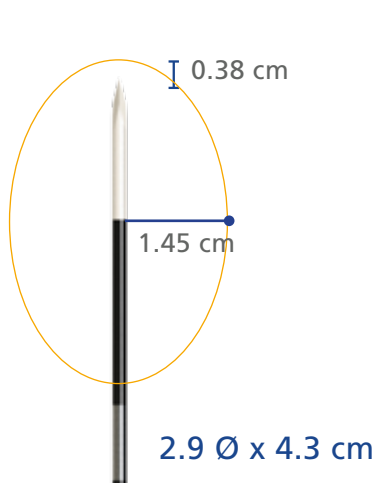
60 W



100 W



140 W



Note: Ablation volumes in perfused tissues may differ from static laboratory results

EX VIVO PORCINE LUNG

(diameter \varnothing x length)

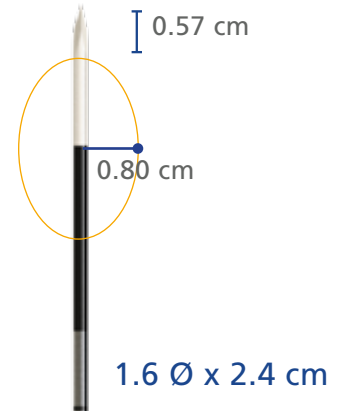
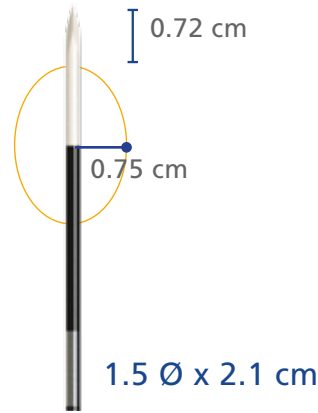
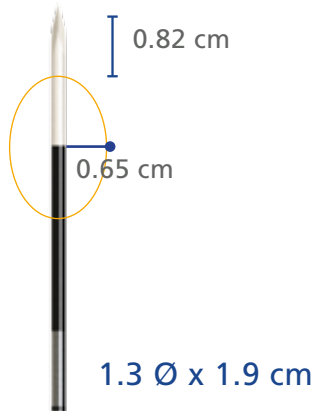


2 min

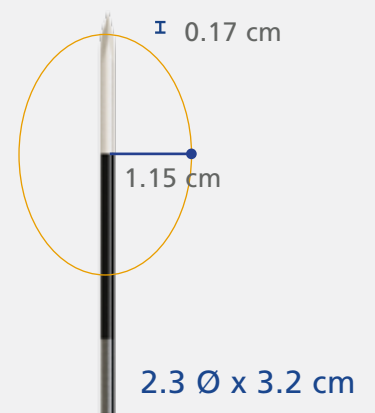
4 min

6 min

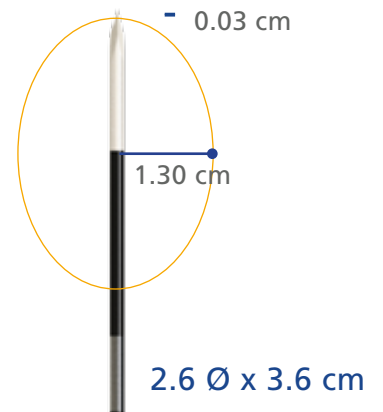
60 W



100 W



140 W



Note: Ablation volumes in perfused tissues may differ from static laboratory results

SOLERO* MICROWAVE TISSUE ABLATION SYSTEM

SKU	Description
H78712740000US0	Solero MW Generator
H787700106001US0	Solero MW Applicator 14 cm
H787700106002US0	Solero MW Applicator 19 cm
H787700106003US0	Solero MW Applicator 29 cm

INDICATION FOR USE

The Solero Microwave Tissue Ablation (MTA) System and Accessories are indicated for the ablation of soft tissue during open procedures. The Solero MTA System is not intended for cardiac use.

Please refer to the Solero Generator Operator's Manual and the Solero Applicator Directions For Use for complete instructions, warnings, and precautions.

CAUTION: Federal Law (USA) restricts this device to sale by or use under the order of a physician.



USA > 14 Plaza Drive, Latham, NY 12110 > tel: 800-772-6446 or 518-798-1215 > fax: 518-798-1360
International > Haaksbergweg 75 (Margrietoren), 1101 BR, Amsterdam Z-O > The Netherlands >
tel: +31 (0)20 753 2949 > fax: +31 (0)20 753 2939

www.angiodynamics.com

*AngioDynamics, the AngioDynamics logo, Solero and the Solero logo are trademarks and/or registered trademarks of AngioDynamics, Inc., an affiliate or a subsidiary. © 2017 AngioDynamics, Inc. ANGM 498 US Rev 01 06/17